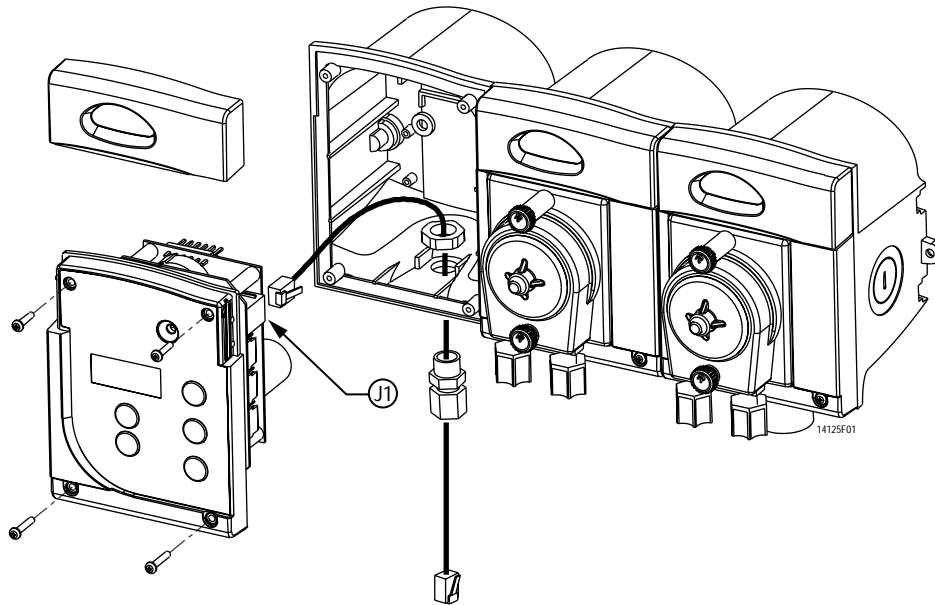


# Installation Instruction

Sierra-Uniport Cable



1. Remove top sliding cover of controller box by inserting a small screwdriver under the right side of cover. Gently pry off, taking care not to damage the unit.
2. Remove all 4X screws and pull out cover far enough to access connectors along right side of PCB.
3. Remove bottom hole plug in Controller.
4. Remove hex nut from strain relief on Uniport cable.
5. Slide nut into ribs and align to center of hole.
6. Insert Uniport cable through hole and nut, screwing strain relief into nut to tighten.
7. Connect cable to J1 on Main PCB
8. Tighten strain relief nut around cable to secure.
9. Close cover and reassemble screws and sliding door.



**Beta Technology, Inc**  
2841 Mission Street  
Santa Cruz • CA  
U.S.A. • 95060

TEL • 831 • 426 • 0882  
TEL • 800 • 858 • 2382  
FAX • 831 • 423 • 4573  
FAX • 800 • 221 • 8416

Customer Service

TEL • 800 • 215 • 6415 | Tech Support  
sales@beta-technology.com

**Beta Technology, Inc**  
4 Finway, Dallow Road  
Luton LU1 1TR  
United Kingdom

Freephone • 0800 • 052 • 4726  
Tel • +44(0) • 1582 • 528600  
Fax • +44(0) • 1582 • 528111  
Freephone • 0800 • 052 • 4726 | Tech Service  
VAT REG.NO.BG.354 - 09975 - 44  
europe.sales@beta-technology.com

Customer Service

Online Ordering: <http://www.beta-technology.com>